

LR-1 SPECIFICATIONS

< Input & Output Controlling >

Connector	RJ-45
Pin Assignment	Pin-1: TXD + Pin-2: TXD - Pin-3: RXD - Pin-4: + 5 V Pin-5: + 5 V Pin-6: RXD - Pin-7: GND Pin-7: GND
Recommended Cable	Enhanced CAT-5 LAN cable (straight)
Cable Length	Up to 50 m
Protocol	Digigram EtherSound
Transferring Method	Asynchronous serial signal

< Dimensions >

USA / AUSTRALIA / JPN	70.0 (W) x 114.0 (H) x 33.0 (D) mm (D: 52.0 mm including protruding portion)
UK	76.0 (W) x 76.0 (H) x 33.0 (D) mm (including protruding portion) (D: 52.0 mm including protruding portion)
USA / JPN	76.0 (W) x 76.0 (H) x 33.0 (D) mm (including protruding portion) (D: 52.0 mm including protruding portion)

< Dimensions >

USA / AUSTRALIA / JPN	150 g
UK	120 g
USA / JPN	140 g (including mounting bracket)

< Power >

Supplied from ES series receiver unit

< Environmental Condition >

Standard Temperature	20 ± 3 °C
Standard Humidity	65 ± 5 %
Characteristics Guaranteed	
Temperature	+ 5 ~ +40 °C
Humidity	30 ~ 70 %
AC Voltage Deviation	± 5 % or less
Operation Guaranteed	
Temperature	- 5 ~ +45 °C
Humidity	0 % ~ 90 % (without water droplets)
AC Voltage Deviation	± 10 % or less

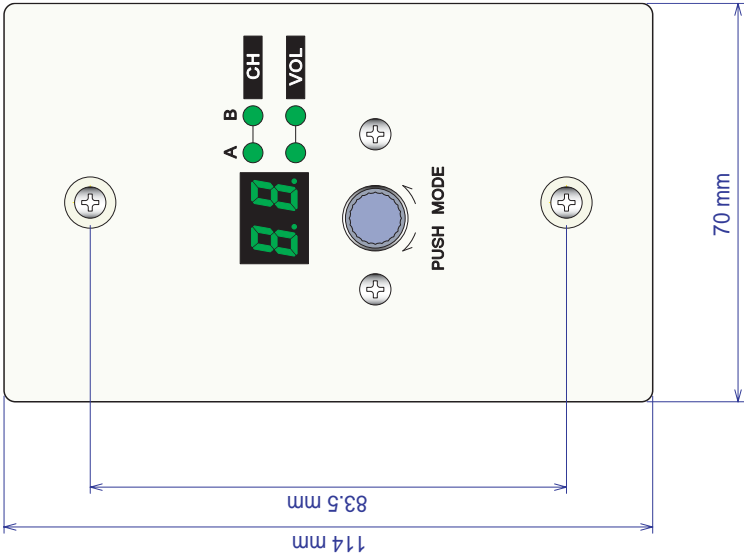
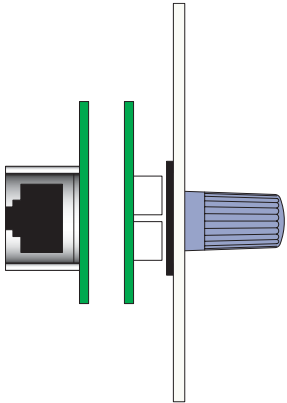
< Standards >

Vibration & Drop Tests	Complies to Fostex Company technical standard.
Safety Standard	IEC60065
Others	
EMI	EN55011 Group 1 Class B EN61000-3-2 & 3-3
Immunity	EN50082-1 (Ed1)

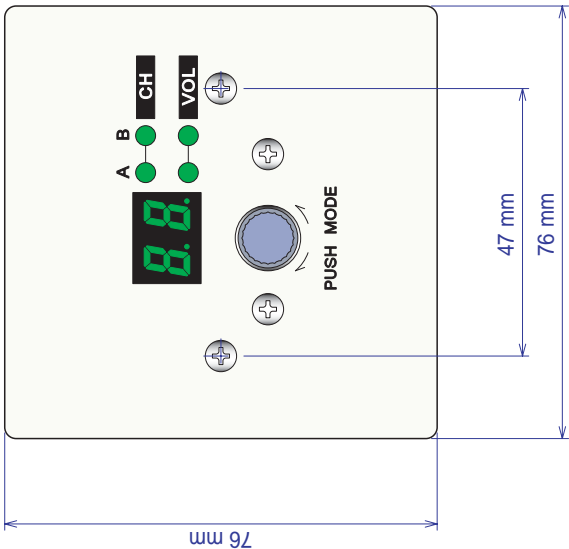
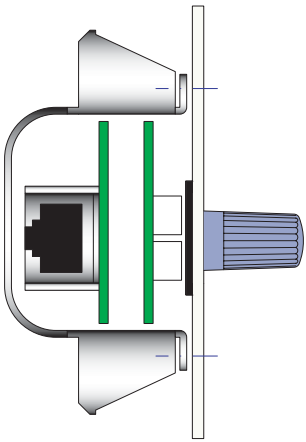
* Specifications and physical appearance are subject to change without notice for product improvement.

NetCIRA by Fostex

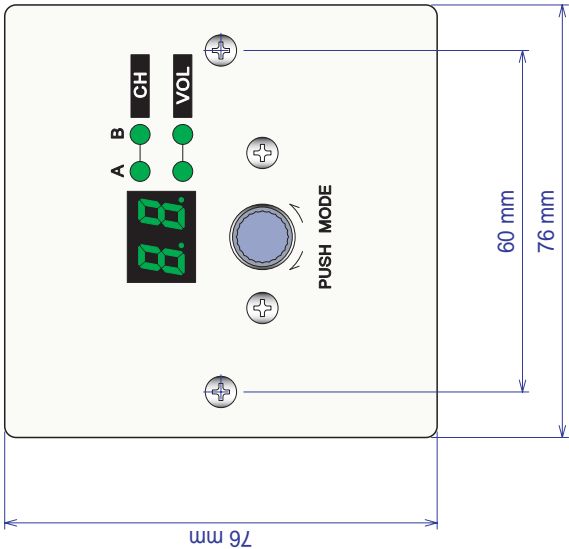
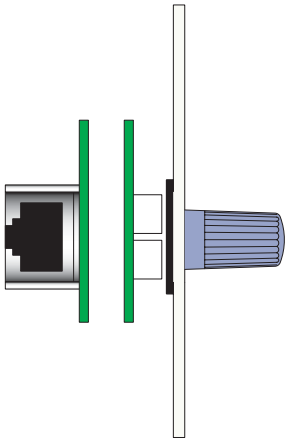
LR-1 CONTROLS, INDICATORS & CONNECTORS



USA/AUSTRALIA



EUR



UK